

ICA 8700

Automatic Double-Clipper



innovative · reliable · leading

poly-clip[®]
SYSTEM

ICA 8700

- Hygienic design
- For large calibres and moulded products
- Calibres up to 200 mm
- Up to 50 cycles per minute
- EASY TOUCH for easy and comfortable operation

Applications

The ICA 8700 is the ideal machine for medium sized to large diameter products up to a calibre of 200 mm. Fibrous, collagen and plastic casings can be processed. The ICA can be additionally equipped with a slack fill device for moulded ham and similar products. The innovative and fast iris separator makes the ICA ideal for the production of large volumes like slicer products, moulded ham, even those made of whole muscles. When combined with a vacuum system, air-free stuffing is guaranteed also for large calibres.

Advantages

- Short clip cycles for high-level output
- Electrically driven and controlled by servo converter
- Patented iris separator ensures short, symmetrical sausage ends
- Product true to the calibre as the conveyor speed is infinitely variable
- Trend-setting safety standard for the operator by two-hand triggering of the first clip

The patented iris separator ensures clean sausage ends and careful portioning – even in large meat pieces



The ICA conveyor belt ensures a rapid product flow and the optional overspread guarantees perfect slack fill

- Low-noise operation
- Hygienic design – easy to clean, smooth stainless steel surfaces
- Easy transport of machine with the steering wheel
- Easy machine operation with the graphical user interface EASY TOUCH
- Simple conversion of clip size S 800 to S 8700
- Re-loading of casing with the pneumatically supported movement of the clip head
- Casing brake can be adjusted while stuffing
- Low air consumption
- Electronical self-diagnostic system
- Reliable cut of nettings
- Portioning or length filling with up to three length control devices
- Roller conveyor extension for 1.5 m long sausages
- Meat shut off-valve
- Cutter
- Mechanical casing brake and pneumatical dry sausage brake
- Optional second operator panel at end of conveyor
- Vacuum filling horns: diameter 48, 60 and 76 mm
- Labelling system ES 5000
- Shaping conveyor
- Metal detector
- Net applicator

Optional equipment

- Automatic looper (GSA)
- Air-free slack filling for moulded products with overspread unit of up to 300 mm
- Casing end switch
- Filling horns diameter 24, 28, 36, 48, 60, 76, 80, 85 and 100 mm
- Simple conversion to S-clip spools: 1,300 sausages without re-loading.

The overspread ensures the air-free loose filling of moulded products





Function and operation

The ICA is connected mechanically to filling machines – including ham pumps – and synchronized electrically. The operating concept EASY TOUCH is based on a touch screen. This graphical user interface makes machine control easier. The operator is guided intuitively through the flat menu structure with informative icons and can easily control the complete machine at the touch of a finger. The product programs' set of parameters can be very easily managed with EASY TOUCH and the machine settings speed up product change. After the filler has discharged the portion, the voiding separator powerfully encloses the casing and separates whole muscles without damage to the casing. The ICA is equipped with the tried-and-tested clip distance of 51 mm.



Continuous production and considerable cost savings in both material and staff: ICA 8700 in combination with the TSA 200 automatic sealing machine – safety glass provides an optimal view for the operator

Combinability

TSA

The ICA can be combined with Poly-clip System sealing machines TSA 120 and TSA 200. The TSA uses economic flat roll stock film. A ready-to-fill tube is transferred to the clipping machine.

NFA

The automatic Net Film Applicator NFA 100 provides simultaneous processing of various films and stretch or non stretch netting.

Clip System Solutions

The complete machine, clip and loop system from one source ensures efficient, trouble-free production. The Original Clip from Poly-clip guarantees top quality. Manufactured to strictest quality standards, certified to ISO 9001:2000 and tuned precisely to the production process. The patented genuine, food-proof, safety coating using Poly-clip SAFE-COAT technology ensures trouble-free production and a no-worry product warranty. Poly-clip System is the world's leading provider of Clip System Solutions.

Easy cleaning of the ICA due to smooth, stainless steel surfaces

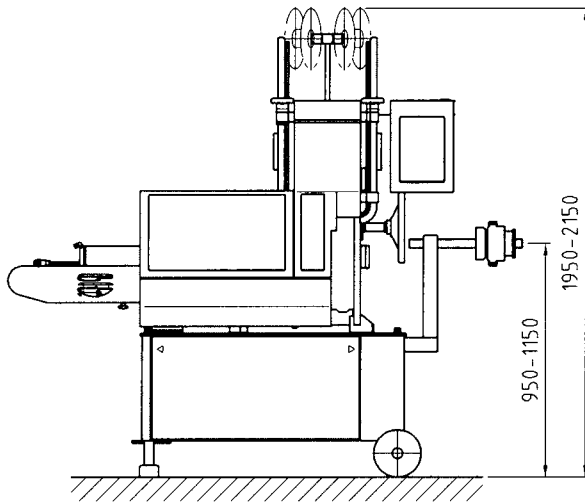


Shaping conveyor for slack filled products

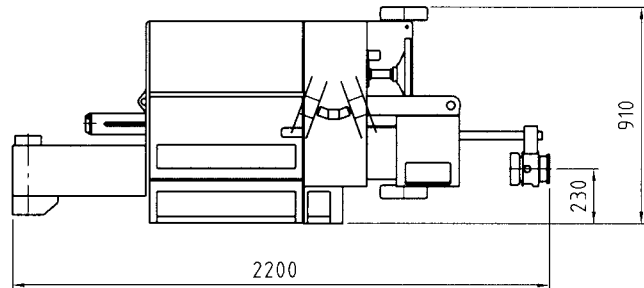


Reliable metal detection





Front view



Top view

Width:	2,200 mm
Depth:	910 mm
Height:	1,950-2,150 mm
Weight:	800 kg
Three-phase current connection:	200-230 VAC, 380-460 VAC, 50 or 60 Hz
Power consumption:	2.8 kW
Fuse connection:	16 A
Compressed air:	6 bar / 0.6 MPa
Air consumption:	
Without overspreading	0.6 NL/cycle
With overspreading	20 NL/cycle
With looper	1.0 NL/cycle

Suitable clip sizes:

ICA 8700 for calibres up to 160 mm: S 8735/8740/8744/8748

ICA 800 for calibres up to 200 mm: S 844/848/854 (stick only)