

# FCA 3463

## Automatic Double-Clipper



innovative · reliable · leading

**poly-clip**<sup>®</sup>  
SYSTEM

# FCA 3463

- For chubs from 40 to 120 mm diameter
- Up to 120 cycles per minute – continuously variable
- EASY TOUCH for easy and comfortable operation
- Robust stainless steel design ensures long machine life

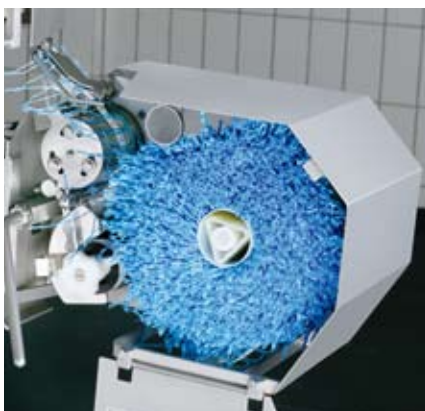
## Applications

The FCA 3463 automatic double-clipper closes all plastic, fibrous and collagen casings from a calibre of 40 to 120 mm, and even larger in the case of special applications. This flexibility in the calibre range is achieved by rapid change of the clip sizes from 15 to 18 mm and of the voiding distance from 30 to 36 mm. For loose filling, free from air, of formed products, an additional overspreading with a total voiding distance of 130 mm is available.

## Advantages

- Robust and compact design meets all challenges
- Stainless steel construction ensures resistance to aggressive cleaning agents
- Easy handling
- Easy machine operation with the graphical user interface EASY TOUCH
- Product parameters can be recalled from program memory

GSA automatic looper – tape-less loops are applied.



- Three speeds individually adjustable, depending on product
- Continuously variable conveyor or belt speed
- Fast and reliable product transport, even for rings
- Clean sausage tails due to voiding separator
- Automatic opening with pneumatic assistance
- External reproducible clip pressure adjustment
- Trend-setting safety standard for the operator by two-hand triggering of the first clip
- Easy to manoeuvre with front wheel and steering bar
- Smooth surfaces for easy cleaning.
- Service-friendly due to external central lubrication points
- Completely enclosed switch cabinet ensures fault-free electronics
- Low noise level
- Pneumatic casing brake
- Clip monitoring
- Single clip feature
- Clip coding
- Overspreading up to 130 mm
- Swivel horn or twin turret
- Product outlet with conveyor belt or roller conveyor in 8 versions from 700 to 1,300 mm long
- Print mark control
- Length stop
- Labelling system ES 5000
- Special equipment for non-food products

## Optional equipment

- Automatic looper, retractable, optionally loop ahead
- String dispenser
- Casing end switch

Overspreading of 130 mm for loose filling of formed products, free from air



## Function and operation

The FCA 3463 is connected mechanically and electrically to the stuffer. The voiding separator provides portions of precise weight, which are clipped as single sausages or rings. Highest safety standards are guaranteed with the two-handed trigger operation required to start the first clip. The automatic double-clipper is controlled electronically via a PLC and servo-frequency inverter. Product-specific can be saved and recalled in plain text. Operator and service level are clearly separated from one another with the service level being password protected. The holder for the standard casing brake is also suitable for use with the optional pneumatic casing brake. The machine can be swung on and off to allow casings to be reloaded.

## Combinability

The FCA 3463 can be coupled with the TSA. The TSA (transfer sealing machine) uses flat roll stock film and supplies the ready-to-fill tube to the double-clipper.

## Clip System Solutions

The complete machine, clip and loop system from one source ensures efficient, trouble-free production. The Original Clip from Poly-clip guarantees top quality. Manufactured to strictest quality standards, certified to ISO



Up to 2.000 m non-stop - in combination with the TSA automatic sealing machine

9001:2000 and tuned precisely to the production process. The patented genuine, food-proof, safety coating using Poly-clip SAFE-COAT technology ensures trouble-free production and a no-worry product warranty. Poly-clip System is the world's leading provider of Clip System Solutions.

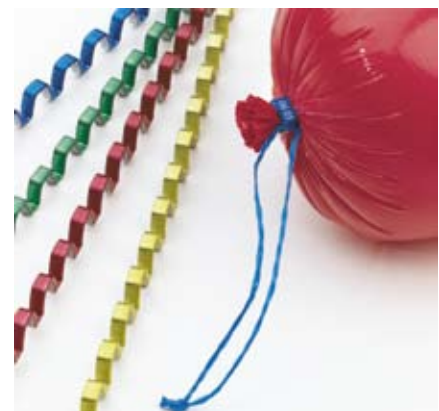
Product outlet with adjustable double conveyor belt - ideal for rings

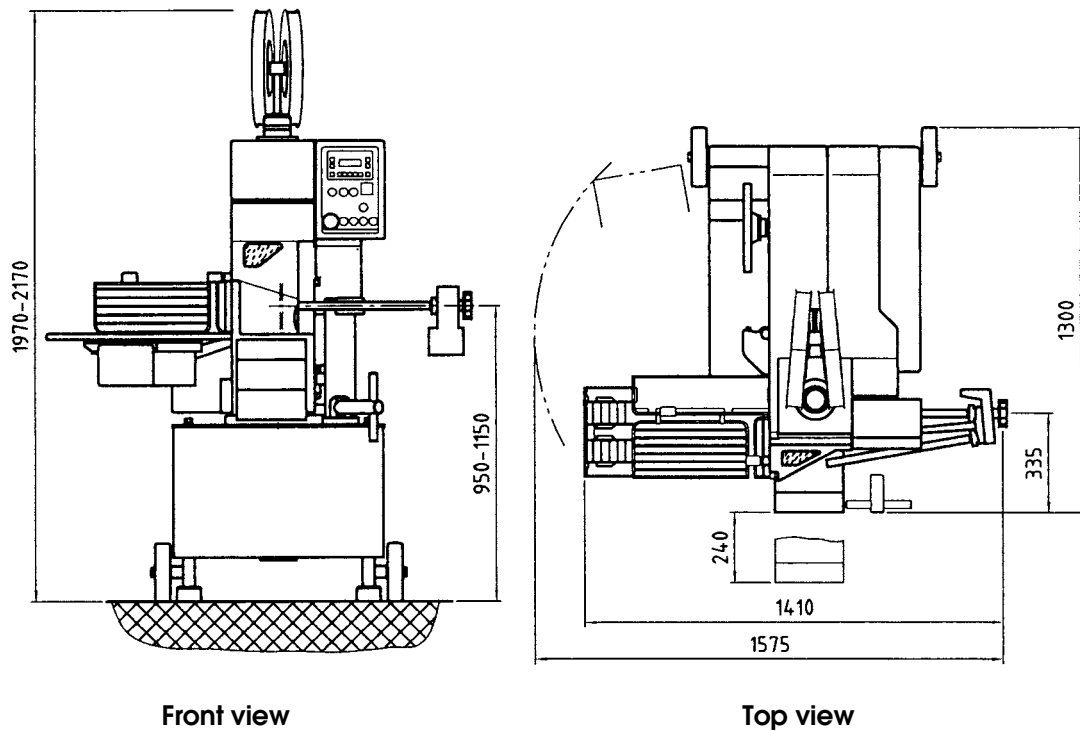


The alternative to the swivel horn - FCA 3463 with twin turret



Product identification with coloured clips and loops and clip coding





Front view

Top view

Width:	1.410 - 1.575 mm
Depth:	1.300 mm
Height:	1.970 - 2.170 mm
Weight:	625 kg
Three phase current connection:	200-230 VAC, 380-460 VAC, 50 or 60 Hz
Power input:	2,8 kW
Fuse connection:	16 A
Compressed air:	5-7 bar/0,5-0,7 MPa
Air consumption:	2,2 NL/cycle