

FCA 3430/3430-18

Automatic Double-Clipper



innovative · reliable · leading

poly-clip[®]
SYSTEM

FCA 3430/3430-18

- EASY TOUCH for easy and comfortable operation
- Robust stainless steel design ensures long machine life

FCA 3430

For a range of calibres from 24 to 90 mm and up to 200 cycles per minute

FCA 3430-18

For a range of calibres from 24 to 120 mm and up to 150 cycles per minute

Applications

FCA 3430

The automatic double-clipper FCA 3430 closes all fibrous and collagen casings from calibre 24 to 65 mm, plastic casings up to 90 mm. This flexibility is achieved by a fast conversion of the clip size from 12 to 15 mm and of the voiding distance from 18 to 26 or 30 mm.

FCA 3430-18

The FCA 3430-18 offers unsurpassed versatility for an automatic clipper. It closes all plastic, fibrous and collagen casings. The calibre range goes from 24 to 90 mm and to 120 mm for plastic casings. This high flexibility is achieved using a larger separator and by rapid change of the clip sizes from 12 to 15 or 18 mm and of the voiding distance from 26 to 30 or 36 mm.

Advantages

- Highest cycle number individually adjustable in five speeds, depending on product
- Highest product versatility with the special FCA 3430-18 version for large calibres
- Stainless steel allows the use of the strongest cleaning solutions
- Easy machine operation with the graphical user interface EASY TOUCH
- Product parameters can be recalled from program memory
- Continuously variable conveyor or belt speed, depending on product

- Clean sausage tails due to voiding separator
- Easy handling
- Low-fatigue operation through automatic swivelling and pneumatic swing-on assistance
- External reproducible clip pressure adjustment without machine stop
- Safety for the operator by two-handed triggering of the first clip
- Easy to manoeuvre with front wheel
- Smooth surfaces, without external screws, for easy cleaning
- No failure in electronics by reason of wetness due to completely enclosed switch cabinet
- Low noise operation
- External exchange of cam rollers

Optional equipment

- Automatic looper GSA 20, retractable
- String dispenser
- Casing end switch
- Pneumatic and pneumatically moving casing brake
- Print mark control
- Clip monitoring
- Swivel horn or twin turret
- Length portioning by means of photocell
- Roller conveyor, roller extension and chub tray
- Variable power conveyor with double belts, adjustable
- Clip coding
- Single clip feature

Automatic looper GSA 20: Loops are reliably fastened.



- For loose filling, free from air, of formed products, an additional overspreading with a total spreading of 130 mm is available

Function and operation

The FCA is connected mechanically and electrically to the stuffer. The voiding separator provides portions of precise weight which are then clipped. Trend-setting safety standards at commencement of production are guaranteed by the two-handed operation required to trigger the first clip. EASY TOUCH means simple and convenient machine operation. This graphical user interface makes machine control easier. The operator is guided intuitively through the flat menu structure with informative icons and can easily control the complete machine at the touch of a finger. The product programs' set of parameters can be very easily managed with EASY TOUCH and the machine settings speed up product change

The alternative to the swivel horn – FCA 3430-18 with twin turret





Easy machine operation with the graphical user interface EASY TOUCH

rapidly. Operator and service levels are clearly separated from one another.

FCA 3430

The automatic double-clipper is controlled electronically via a PLC and servo-frequency converter and uses a wear-resistant drive.

FCA 3430-18

The highly dynamic servo drive of this FCA makes the much greater product range possible. The powerful separator with the large separator opening safely processes calibres up to 120 mm. This large range is possible as all clip sizes can be used with this machine.



Three reel clip series in one machine – maximum product variety with maximum speed

Combinability

TSA – seals a ready-to-fill tube of flat roll stock film in-line

AHL – automatic hanging of looped products

ES 5000 – labelling system for marking and traceability

Clip System Solutions

The complete system of clipping machine, clips and loops from one source ensures efficient, trouble-free production. The original clips from Poly-clip System guarantee top quality. The manufacture is subject to strictest quality standards, is certified to

ISO 22000:2005 and DIN EN ISO 9001:2008 and tuned precisely to the production process. The patented, food-proof, safety coating using Poly-clip SAFE-COAT technology, certified by the SGS INSTITUT FRESENIUS organization, ensures trouble-free production and a no-worry product warranty. Poly-clip System is the world's leading provider of Clip System Solutions.

Product identification: coloured clips & loops and clip-coding



A further method of product identification: inline printed labels



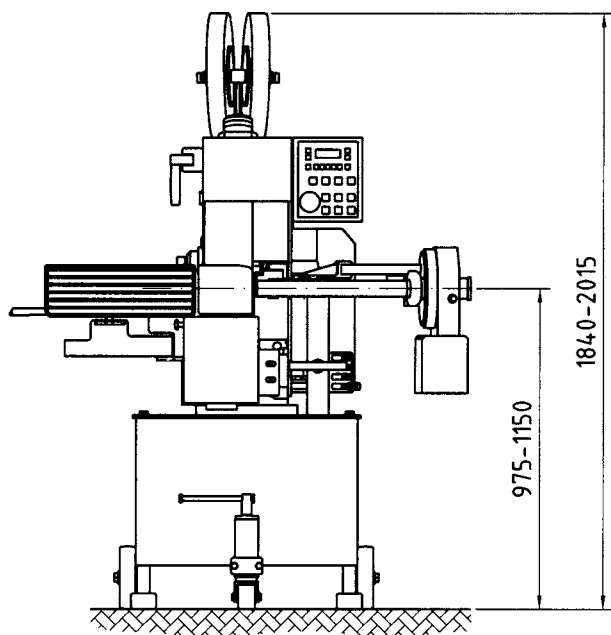
Up to 2,000 m nonstop – in combination with the TSA automatic sealing machine



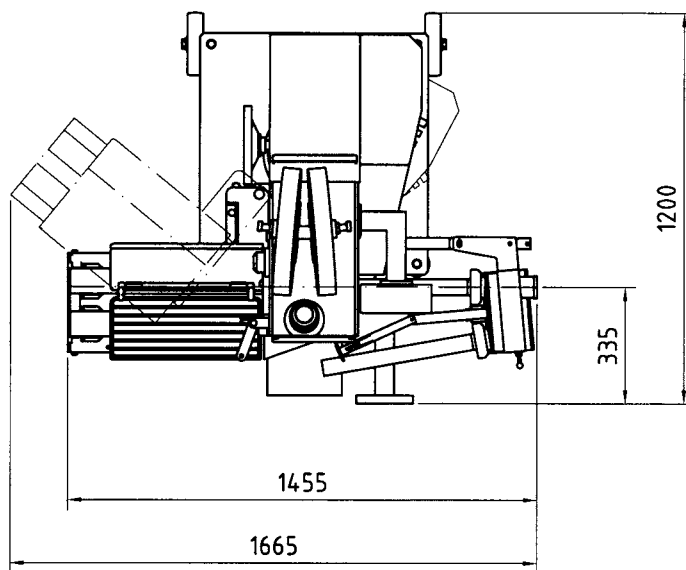
FCA 3430/3430-18

Dimensions (in mm)

Technical data



Front view



Top view

Width:	1,455 - 1,665 mm
Depth:	1,200 mm
Height:	1,840 - 2,015 mm
Weight:	570 kg
Three-phase current connection:	200-230 VAC, 380-460 VAC, 50/60 Hz
Power input:	2,8 kW
Fuse connection:	16 A
Compressed air:	5-7 bar/0,5-0,7 MPa
Air consumption:	1,6 NL/cycle

FCA 3430/3430-18-GB-04/13-HA Subject to technical modifications.

